

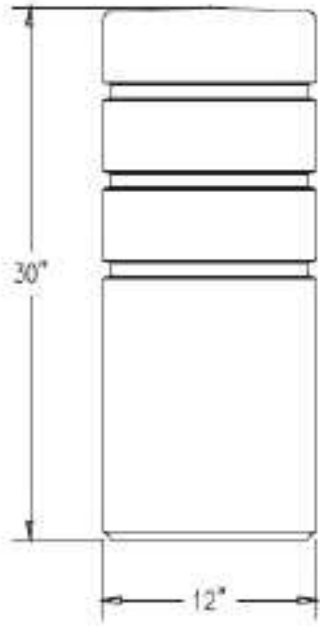


TF6005

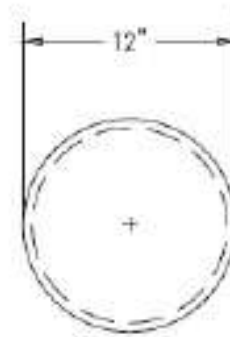
Concrete Bollard with 3 Reveal Lines

Product Data

Size	12" dia x 30" h
Weight	285 lbs
Material	Reinforced Concrete
Anchoring	Option A - (4) 1/2" Threaded Inserts Option B - 4" dia x 14" Core
Sealed	Factory Sealed
Options	Reflective Tape in Reveals



ELEVATION VIEW



TOP VIEW

Concrete Bollard Limited Warranty:

For a period of two (2) years for concrete products, when the customer has received their product, Post Guard warrants its concrete products against defects in workmanship and materials per industry standards. This warranty does not cover the above products for cracking and faulting caused by settling due to an improper base; nor does it cover damage caused by impact, vandalism or natural disaster.

CALL FOR DETAILS & PRICING.

P: 866-737-8900 | E: sales@postguard.com | POSTGUARD.COM