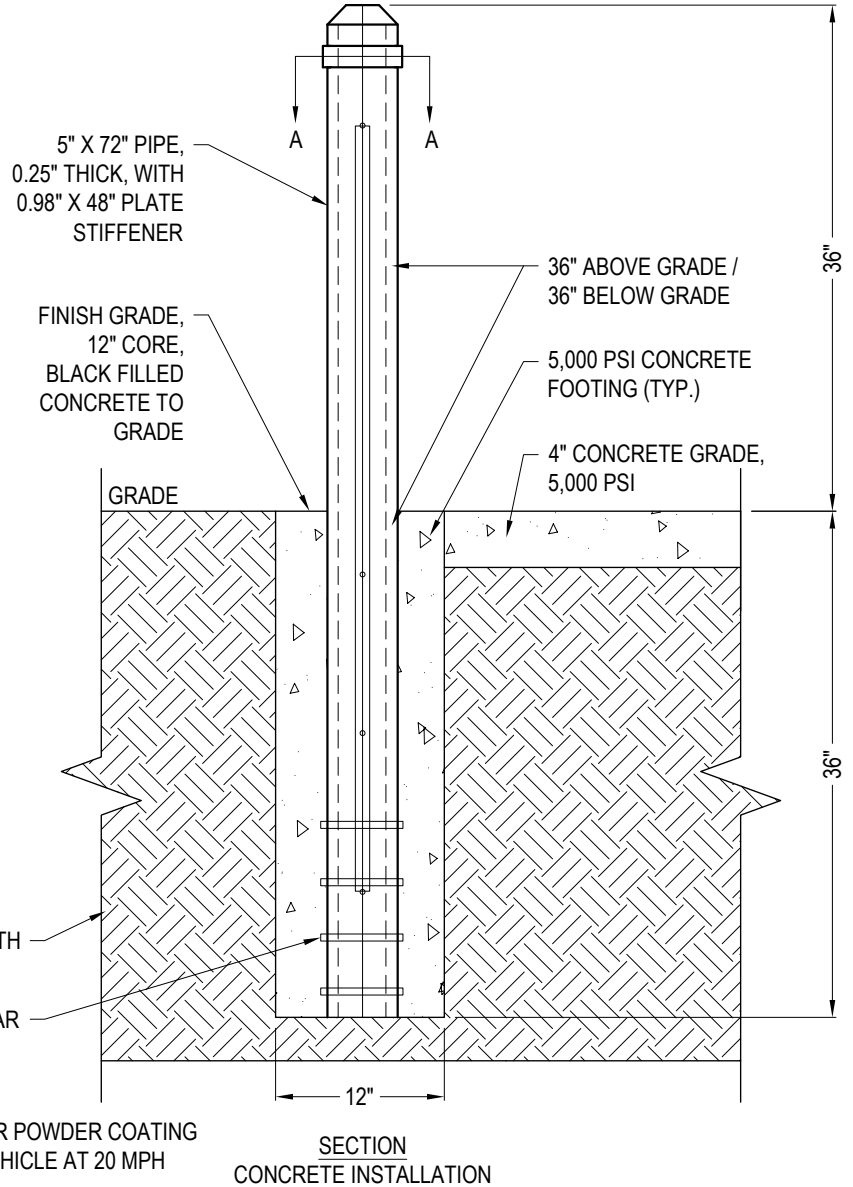
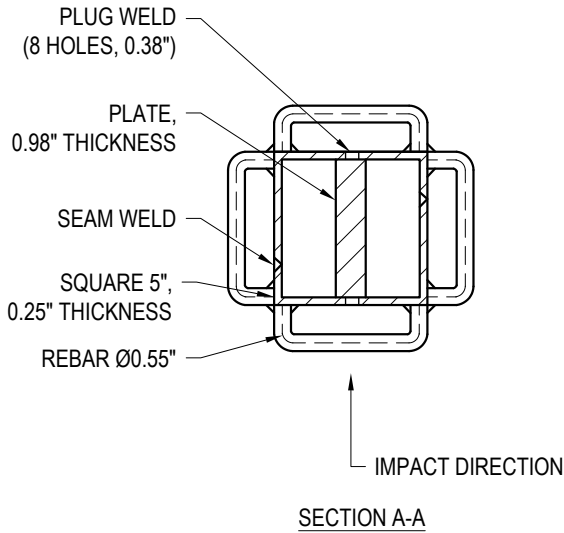




POST GUARD  
 37525 INTERCHANGE DR.  
 FARMINGTON HILLS, MI 48335  
 TOLL FREE: 1-866-737-8900  
 PHONE: (248) 354-4090  
 FAX: (248) 354-4095  
 www.postguard.com



**SPECIFICATIONS:**

- FINISH:** HOT DIPPED GALVANIZED / OPTIONAL COLOR POWDER COATING  
 - ASTM F3016 S20 CERTIFIED TO STOP A 5,000 LB. VEHICLE AT 20 MPH  
 - INNOVATIVE DESIGN AND LESS COSTLY TO INSTALL

**NOTES:**

1. INSTALLATION TO BE COMPLETED IN ACCORDANCE WITH MANUFACTURER'S SPECIFICATIONS.
2. DO NOT SCALE DRAWING.
3. THIS DRAWING IS INTENDED FOR USE BY ARCHITECTS, ENGINEERS, CONTRACTORS, CONSULTANTS AND DESIGN PROFESSIONALS FOR PLANNING PURPOSES ONLY. THIS DRAWING MAY NOT BE USED FOR CONSTRUCTION.
4. ALL INFORMATION CONTAINED HEREIN WAS CURRENT AT THE TIME OF DEVELOPMENT BUT MUST BE REVIEWED AND APPROVED BY THE PRODUCT MANUFACTURER TO BE CONSIDERED ACCURATE.
5. CONTRACTOR'S NOTE: FOR PRODUCT AND COMPANY INFORMATION VISIT [www.CADdetails.com/info](http://www.CADdetails.com/info) AND ENTER REFERENCE NUMBER 3384-081.

