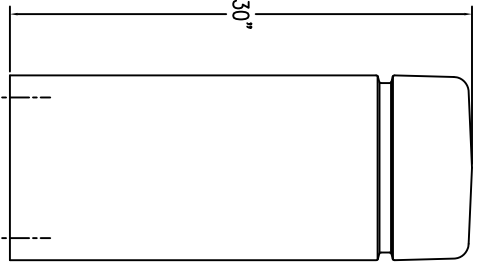
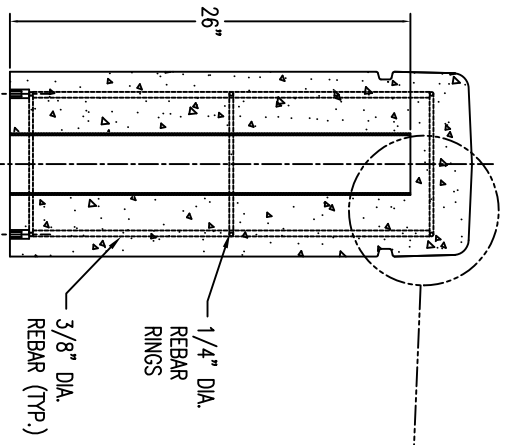


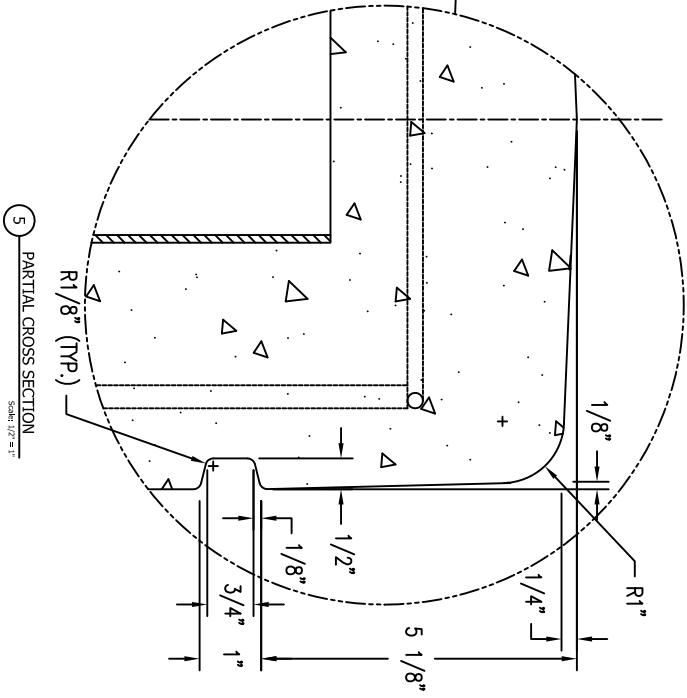
1 TOP VIEW  
SCALE: 1/8" = 1"



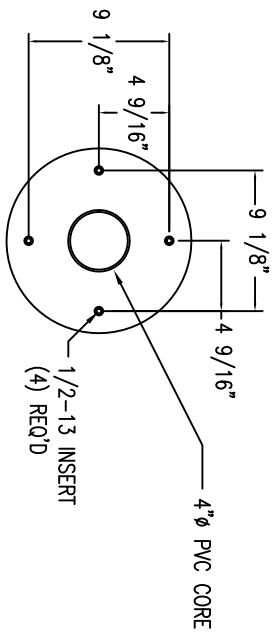
2 ELEVATION  
SCALE: 1/8" = 1"



4 CROSS SECTION  
SCALE: 1/8" = 1"



5 PARTIAL CROSS SECTION  
SCALE: 1/2" = 1"



3 BOTTOM VIEW  
SCALE: 1/8" = 1"

SEAL BELOW & FINISHES ARE APPROVED W/ MARKED CHANGES  
 APPROVED: \_\_\_\_\_  
 DATE: \_\_\_\_\_  
 (SIGNATURE ABOVE ILLUSTRATES ACCEPTANCE OF DIMENSIONS SHOWN.)

| WALSBU TUBE SITE FURNISHINGS |      |    |          |      |                | 14 DAY TEST RESULTS: WALSBU 1040-200 1040-200<br><small>1" DIA. 12" LONG TUBES<br/>       1" DIA. 12" LONG TUBES<br/>       1" DIA. 12" LONG TUBES</small> |      |    |
|------------------------------|------|----|----------|------|----------------|--|------|----|
| REVISIONS                    |      |    | DRAWN BY |      |                | JOB  |      |    |
| NO.                          | DATE | BY | NO.      | DATE | BY             | NO.  | DATE | BY |
| 1                            |      |    | 4        |      | JFZ            | CONCRETE   |      |    |
| 2                            |      |    | 5        |      | SCALE AS NOTED | 205 LBS  |      |    |
| 3                            |      |    | 6        |      |                | TRISOLIM   |      |    |
|                              |      |    |          |      |                | 1 OF 1   |      |    |