



**Encore Commercial Products, Inc.**  
 37525 Interchange Dr., Farmington Hills, MI 48335  
 Toll Free 1- 866 -737- 8900 Fax 248-354-4095  
[www.postguard.com](http://www.postguard.com)

Title: Slow Stop 5"

Drawing Number: SS5

**Recommended Use:**

Surface Mount

**Specifications:**

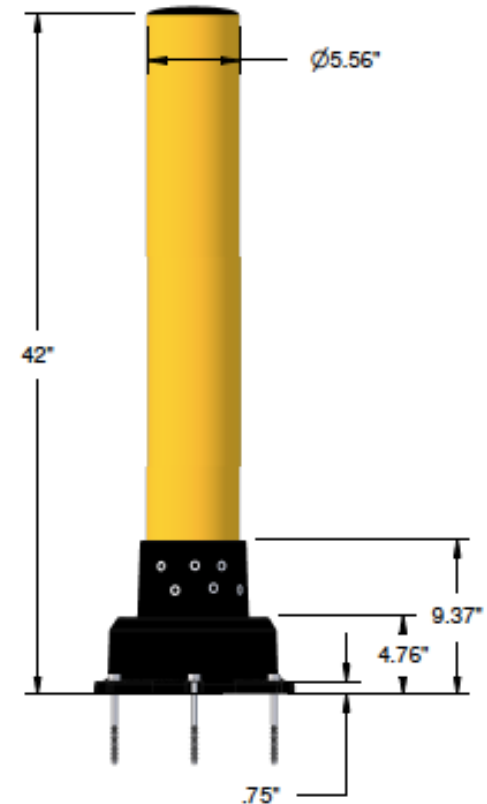
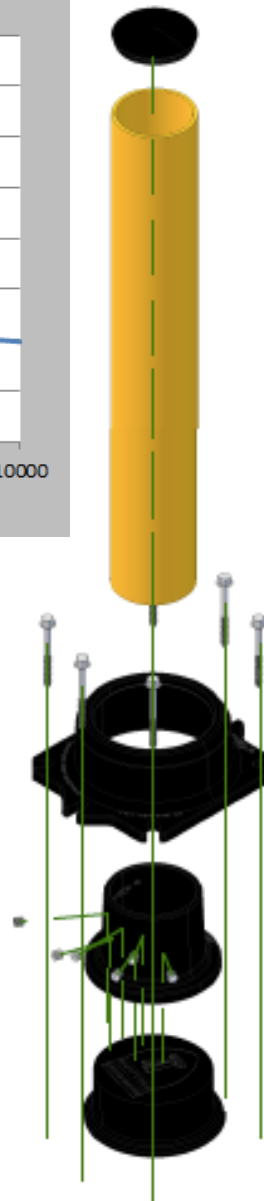
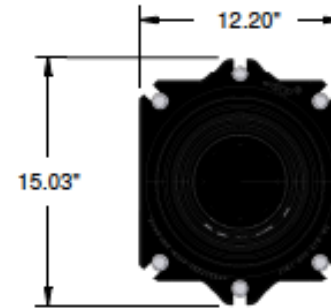
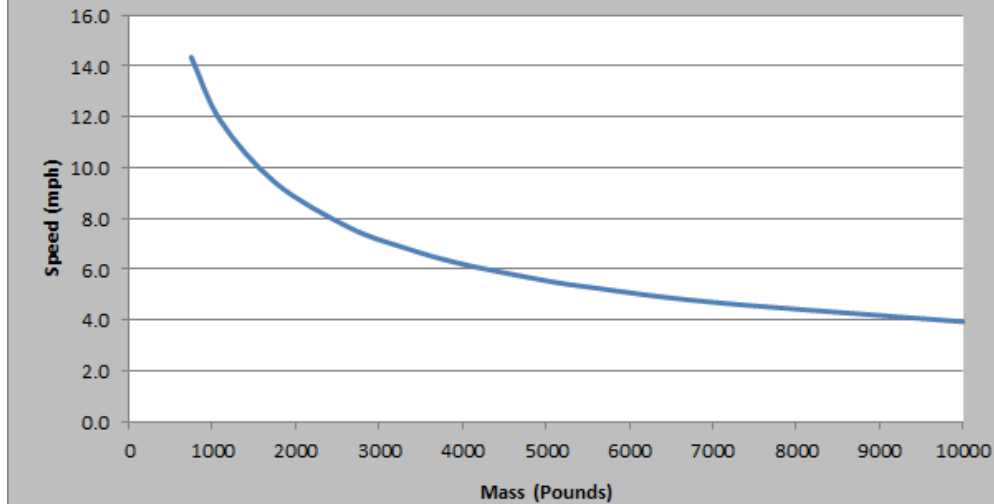
See Below

Date: 3-15-17

Size: 5"x42"

Page: 1 of 1

**5" Bollard Mass vs. Speed**



**SPECIFICATIONS**

- Energy Absorption: 7,000 joules / 5,163 ft-lb.
- Impact Force: 9,429 pounds @ 36" height
- Temperature Rating: -40°
- Pipe Coating: 60µm Hot Dipped Galvanized + 60µm Polyester Outdoor Powder Coat
- Cast Iron Coating: Environmentally Friendly Water-Based KTL Coating + Powder Coat C5I Rated

Diameter: 5.56" (5" ANSI Schedule 40)  
 Height: 42"

Set Screws: 6 M16 x 2.00  
 8mm Hex

Cap: Black Plastic