



Encore Commercial Products, Inc.
24370 Northwestern Hwy., Suite 250, Southfield, MI 48075
Toll Free 1-866-737-8900 Fax 248-354-4095
www.postguard.com

Title: Media Bollard Base Plate

Drawing Number: MBBP1

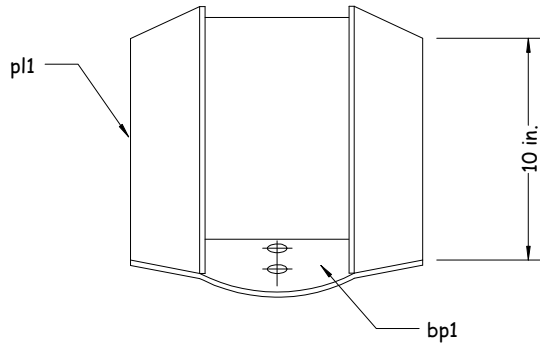
Recommended Use:
CONCRETE OR ASPHALT

Specifications:
ASTM A36 Plates x 3/16"
Hot Dip Galvanized Per ASTM A123

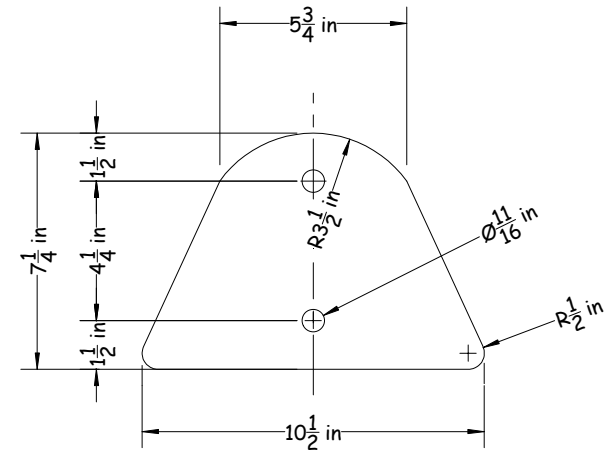
Date: Oct. 26, 2014

Size:

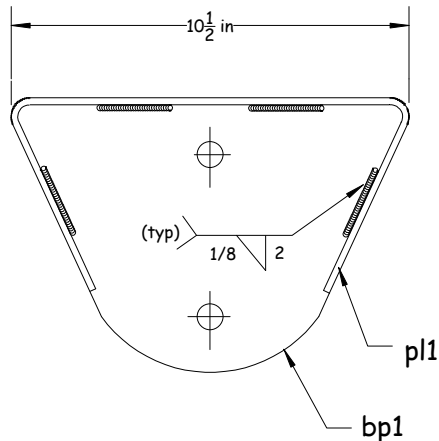
Page: 1 of 1



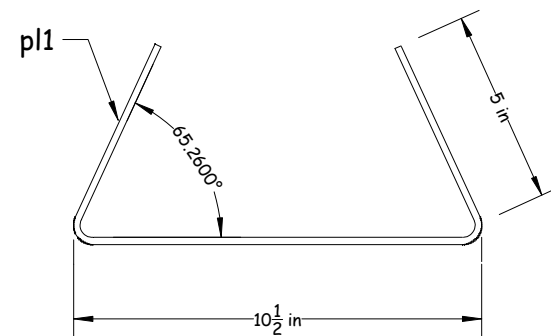
ELEVATION-BASE PLATE INSTALLATION BRACKET



DETAIL- MEDIA BOLLARD BASE PLATE (bp1)



PLAN-BASE PLATE INSTALLATION BRACKET



DETAIL ~ INSTALLATION BRACKET BENT PLATE
(3/16" X 10" X 22-1/2") (pl1)

* ANCHORS FOR CONCRETE OR ASPHALT AVAILABLE