



**Encore Commercial Products, Inc.**  
 37525 Interchange Dr., Farmington Hills, MI 48335  
 Toll Free 1- 866 -737- 8900 Fax 248-354-4095  
[www.postguard.com](http://www.postguard.com)

Title: SlowStop 6"

Drawing Number: SS6

**Recommended Use:**

Mandatory Concrete  
 Installation

**Specifications:**

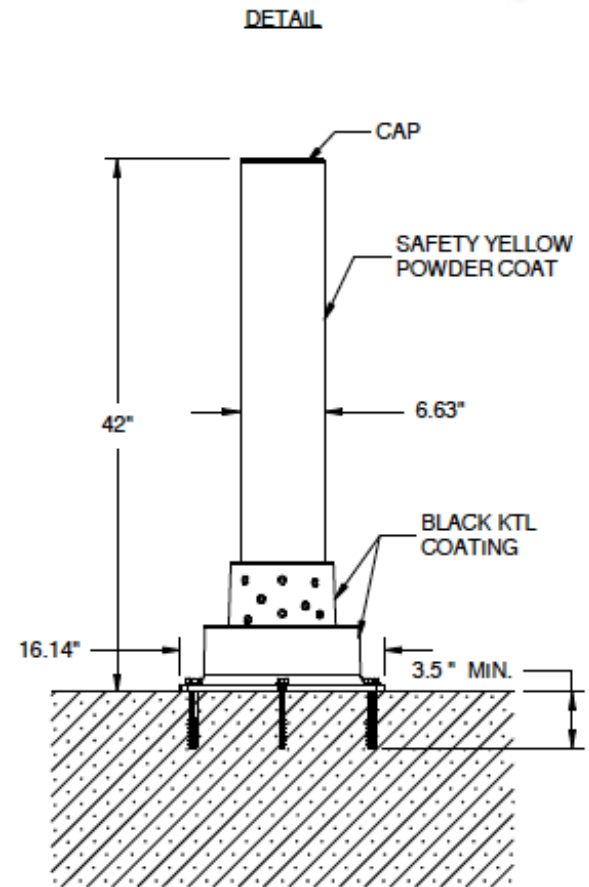
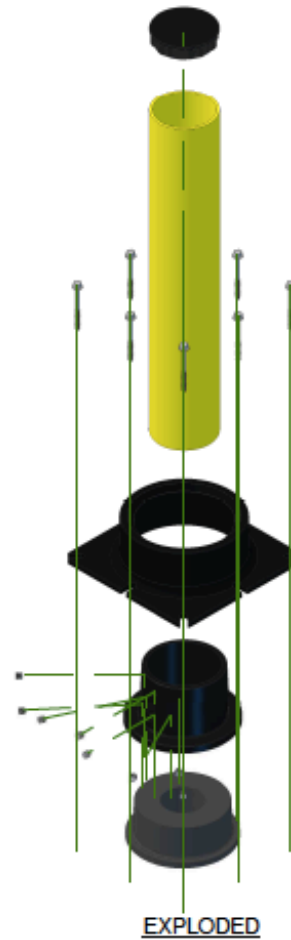
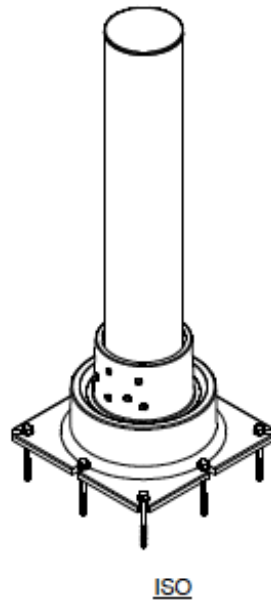
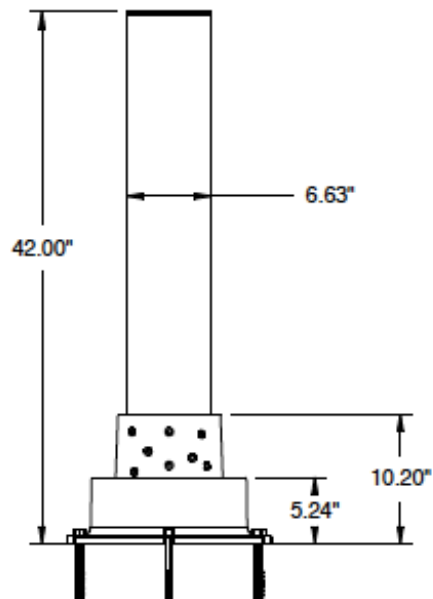
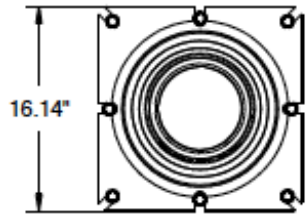
See Below

Date: 3-15-17

Size: 6"x42"

Page: 1 of 1

Color: Yellow Bollard Black Base  
 Diameter: 6.63"  
 Height: 42"  
 Cap: Black Plastic  
 Installs with eight (8) 5/8" x 5-1/2" Concrete  
 Screw Anchors



\* MINIMUM FOUNDATION DEPENDS ON LOCAL  
 SOIL CONDITIONS, WEATHER & ENG. REQTS