



Encore Commercial Products, Inc.
 37525 Interchange Dr., Farmington Hills, MI 48335
 Toll Free 1- 866 -737- 8900 Fax 248-354-4095
www.postguard.com

Title: Slow Stop 4"

Drawing Number: SS4

Recommended Use:

Mandatory Concrete
 Installation

Specifications:

See Below

Date: 3-15-17

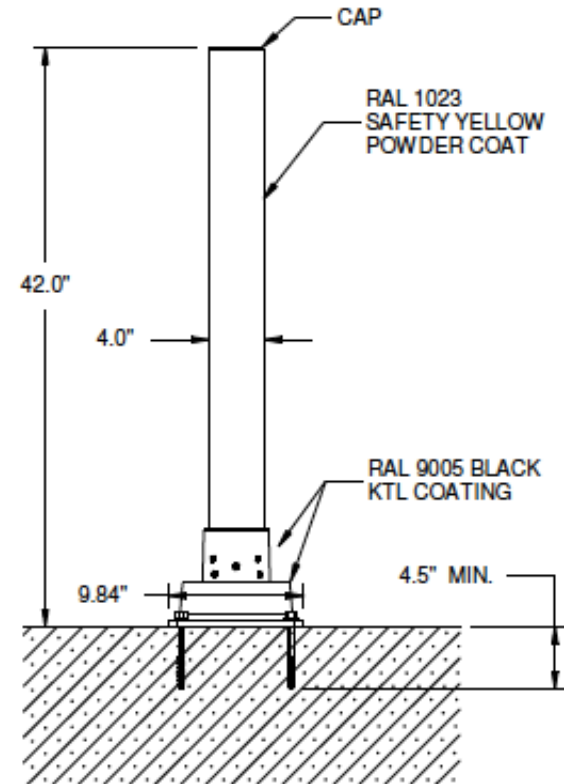
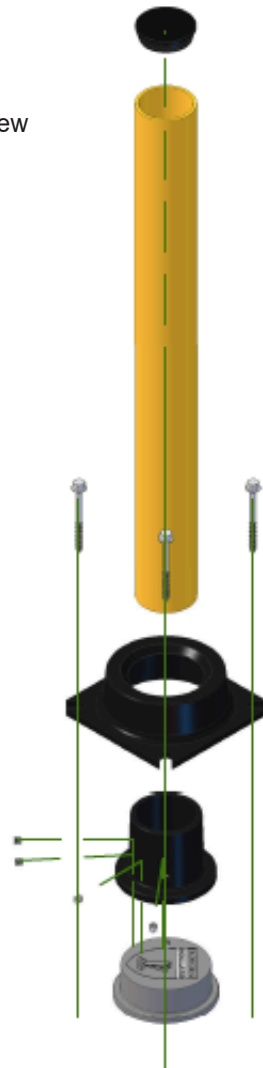
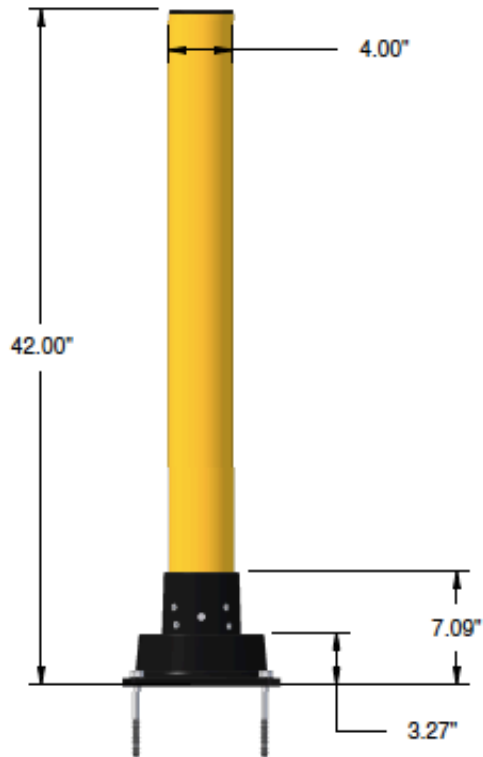
Size: 4"x42"

Page: 1 of 1



Color: Yellow Bollard Black Base
 Diameter: 4"
 Height: 42"
 Cap: Black Plastic

Installs with four (4) 5/8" x 5-1/2" Concrete Screw
 Anchors



* MINIMUM FOUNDATION DEPENDS ON LOCAL
 SOIL CONDITIONS, WEATHER & ENG. REQTS