



Encore Commercial Products, Inc.
 37525 Interchange Dr., Farmington Hills, MI 48335
 Toll Free 1-866-737-8900 Fax 248-354-4095
 www.postguard.com

Title: Clearance Structure Gen1 with optional Rebounding Arm

Drawing Number: CS Gen1

Recommended Use:

Specifications:

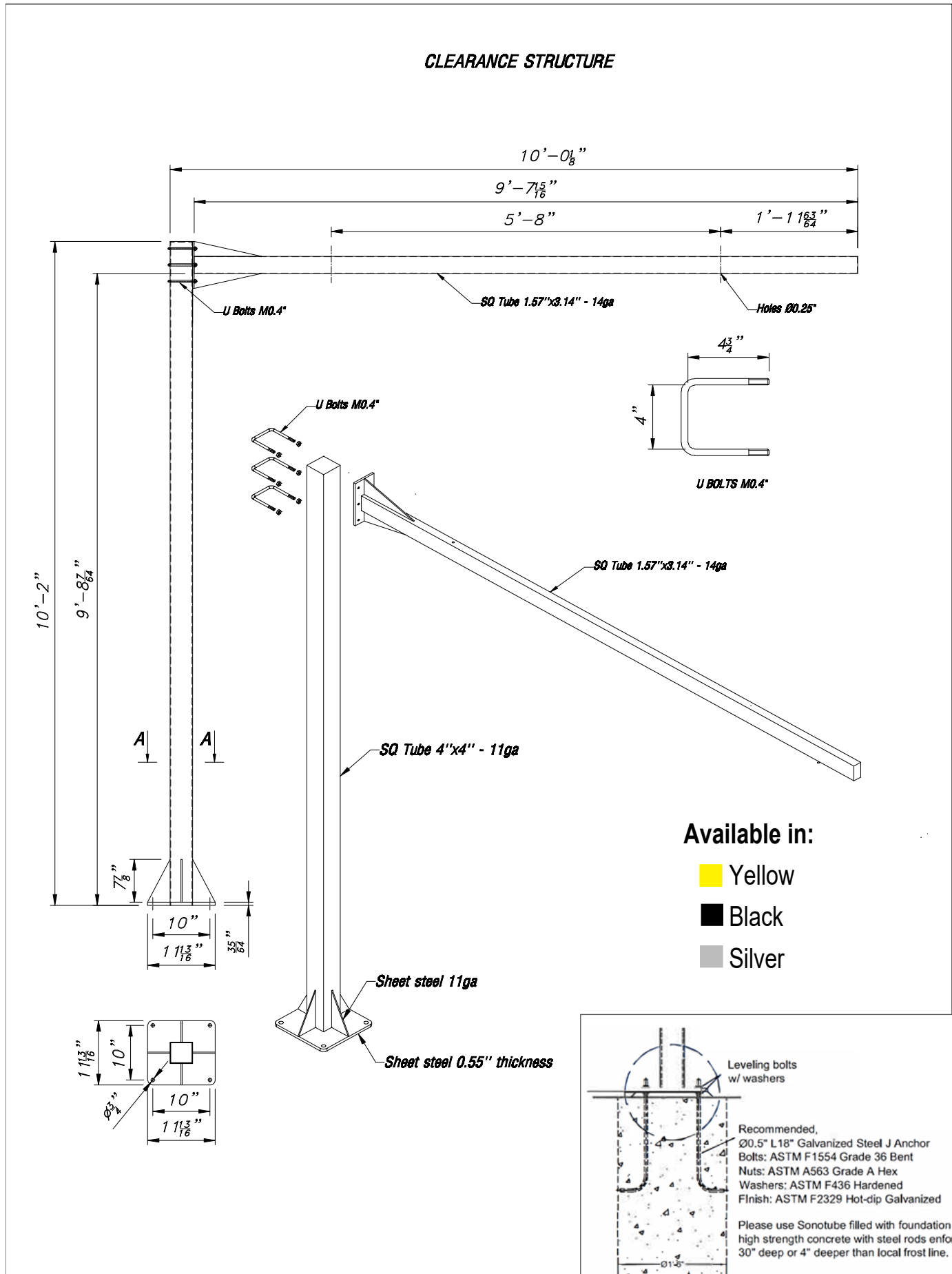
Installation: Concrete Fixed Arm

Date: 7/27/23

Size:

Page: 1 of 1

CLEARANCE STRUCTURE



Available in:

- Yellow
- Black
- Silver

